

---

---

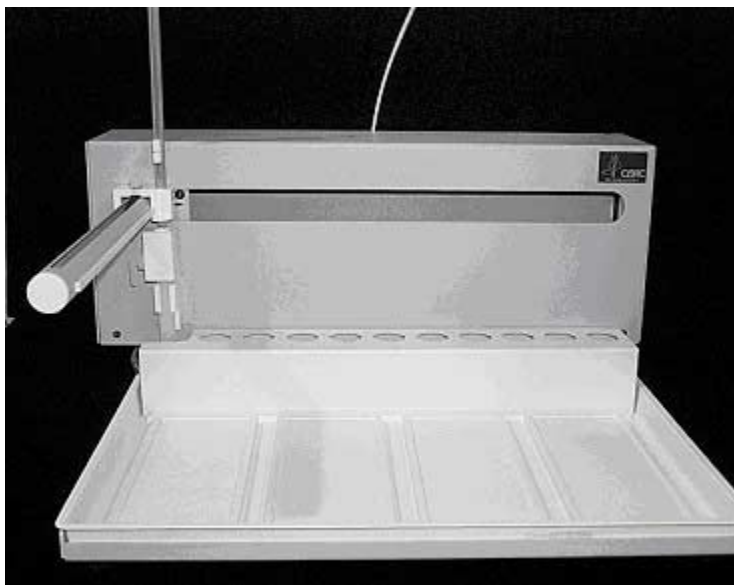
**Wiper Removal Procedure  
for ASX-510**

## WIPER REMOVAL PROCEDURE FOR ASX-510

---

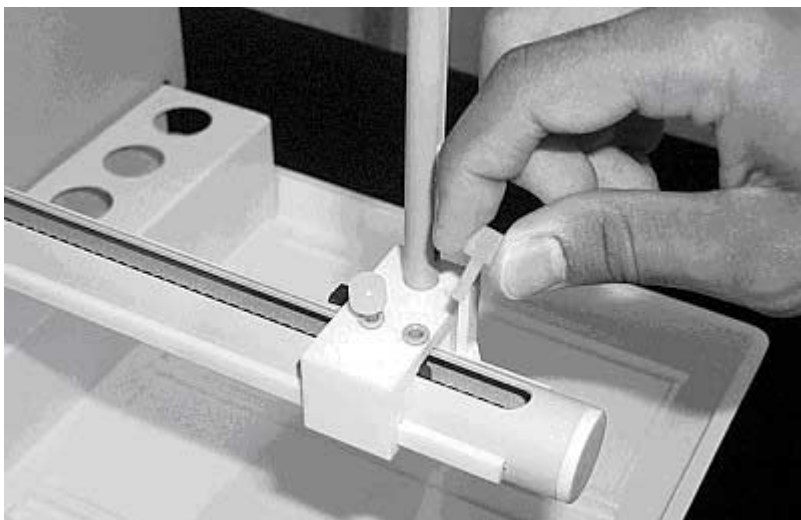
**NOTE: MAKE SURE THE UNIT IS UNPLUGGED AND IN THE “OFF” POSITION BEFORE BEGINNING THIS PROCEDURE.**

---

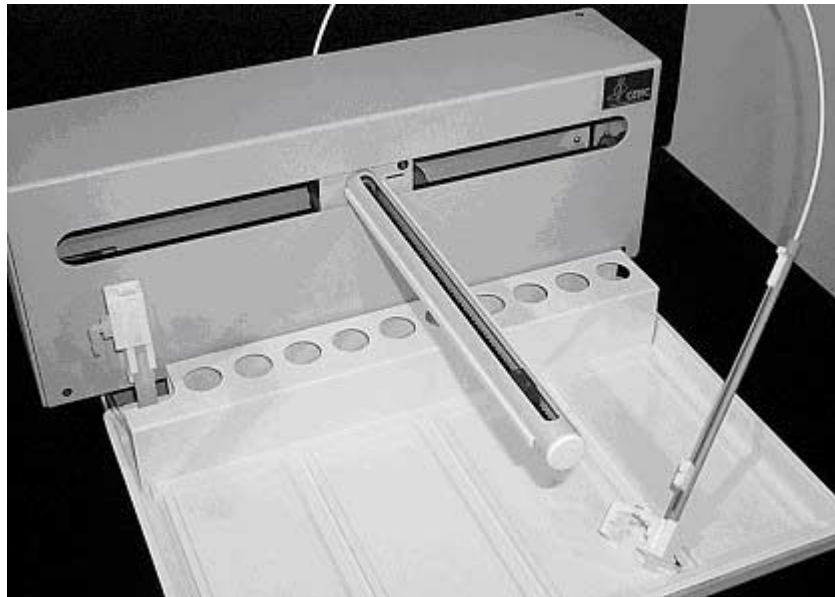


**Figure 1-1.** Front view of ASX-510.

1. First, remove the two Kynar thumbscrews from the Y-axis home block. See Figure 1-2.

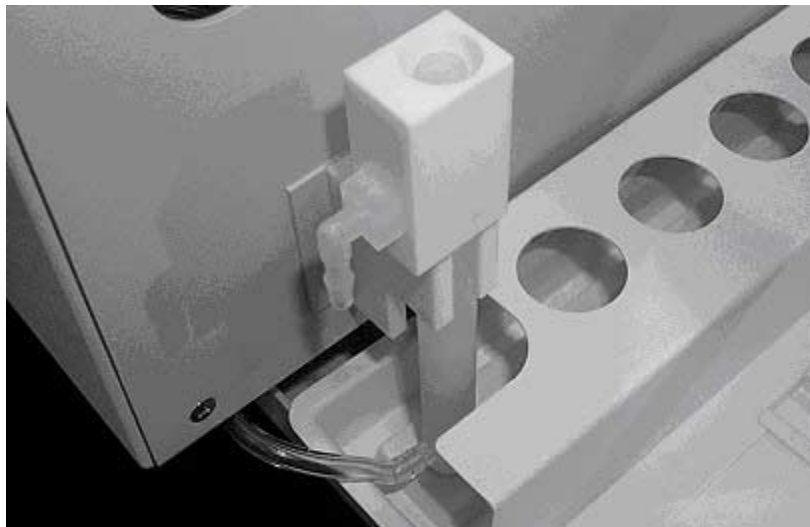


**Figure 1-2.** View of Y- axis home block with Kynar thumbscrews.

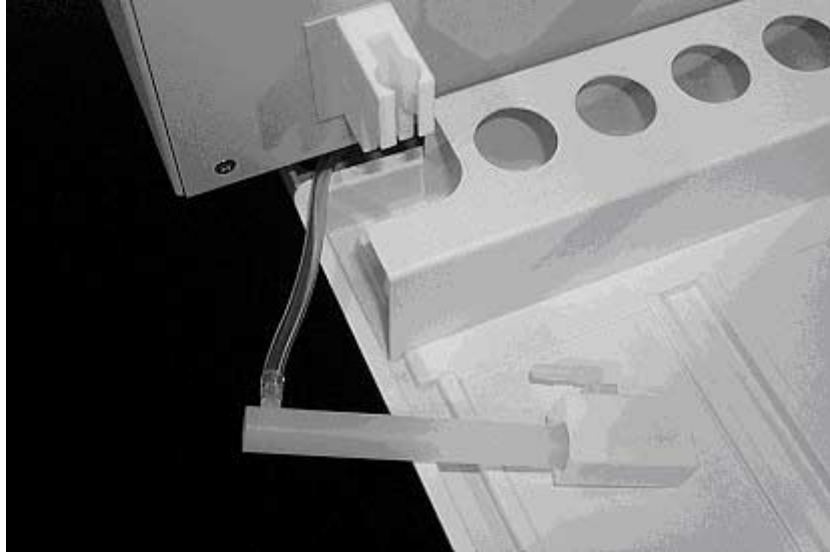


**Figure 1-3.** Z-drive removed from arm assembly.

2. Next, remove the whole Z-drive assembly from the arm by pulling the whole Z-drive assembly forward and off the Auto-Sampler arm. See Figure 1-3.
3. After the Z-drive assembly is removed, then remove the rinse station. See Figure 1-4. Turn the rinse station  $\frac{1}{4}$  turn counter-clockwise while pulling up. Also, the tubing located at the bottom of rinse station will have to be removed or moved aside. See Figure 1-5.

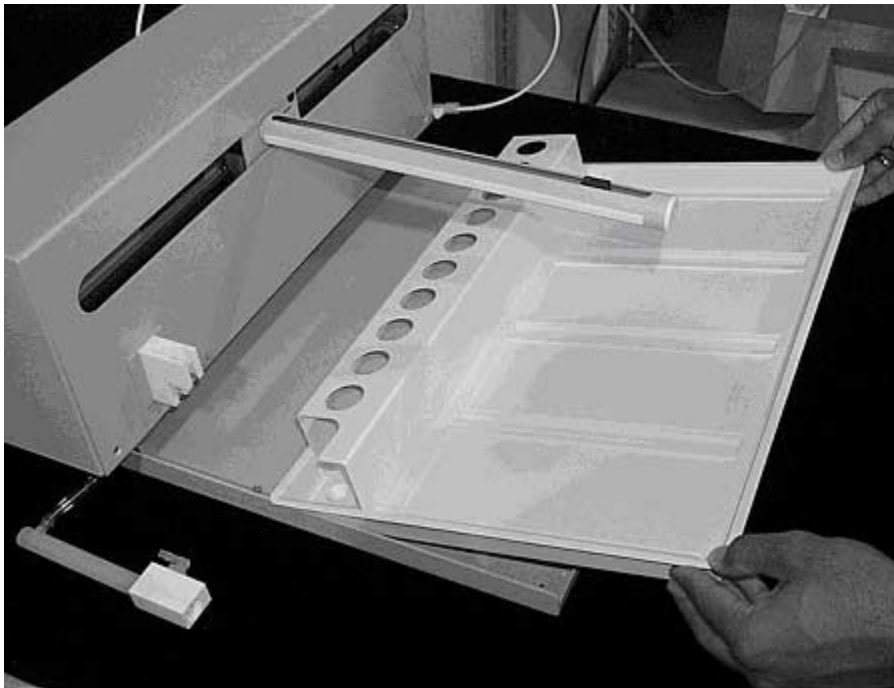


**Figure 1-4.** View of rinse station.



**Figure 1-5.** View of rinse station removed from the front cover.

4. The auto sampler tray is the next to be removed. Lift up the tray and pull out. See Figure 1-6.

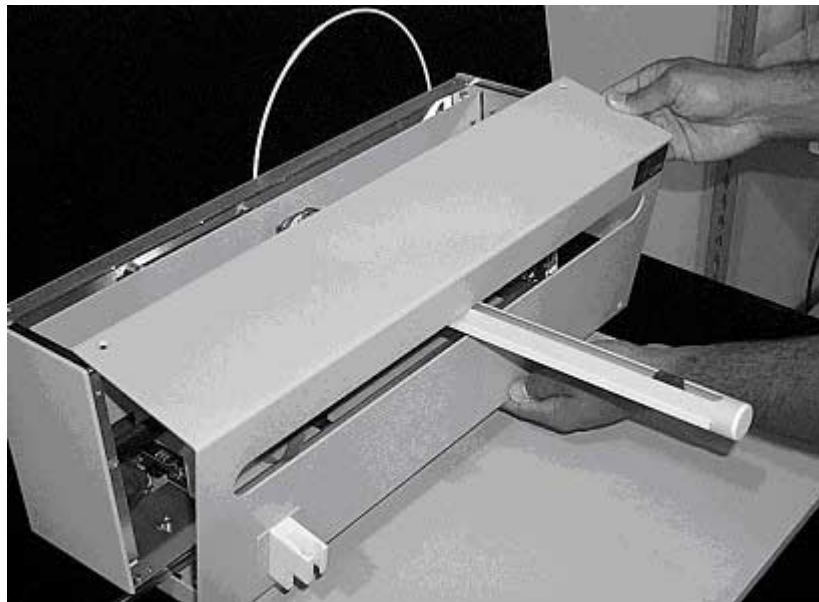


**Figure 1-6.** Removing the tray.

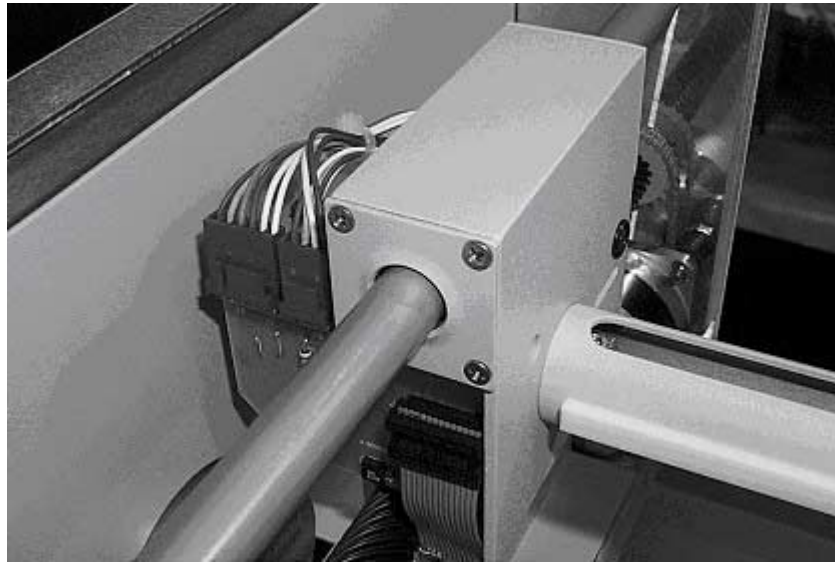


**Figure 1-7.** Front view of ASX-510 Auto-Sampler showing front cover screws.

5. Next, the front cover needs to be removed. Remove the four corner screws shown in Figure 1-7.
6. The front cover can be removed by lifting it slightly and pulling forward. See Figure 1-8.
7. The four flat head screws on each end of the carriage will have to be removed. The screws may have loctite on them. Be careful not to strip the head ends while unscrewing them. See Figure 1-9.

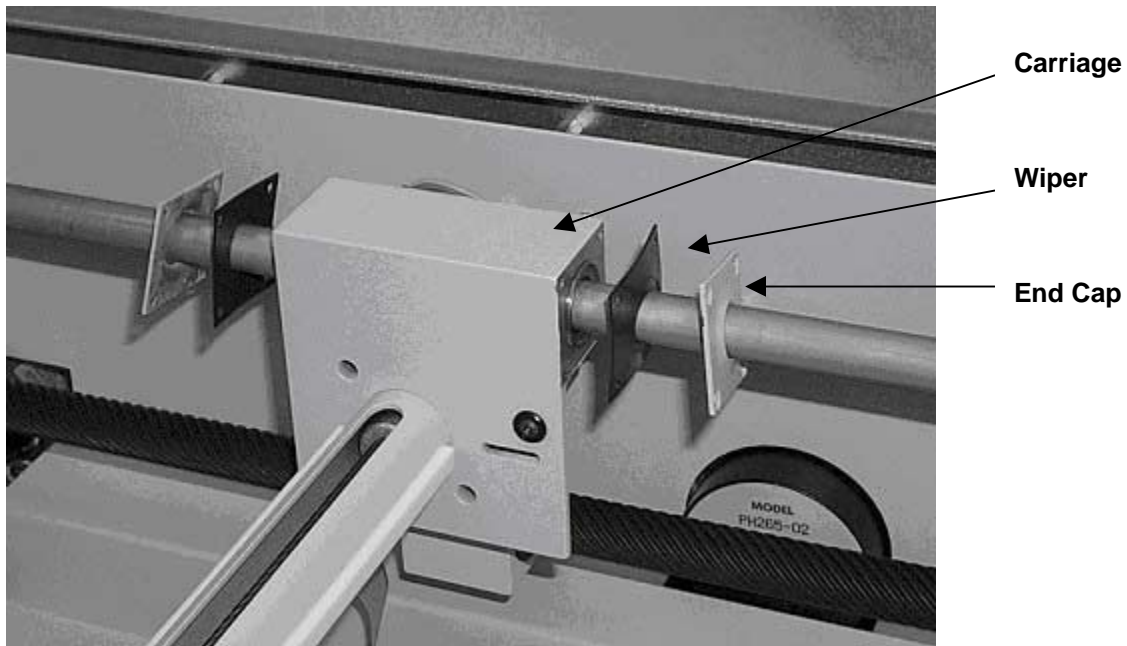


**Figure 1-8.** View of ASX-510 Auto-Sampler with the front cover being removed.



**Figure 1-9.** View of carriage with end caps attached.

8. The wipers are located between the carriage and the end cap. See Figure 1-10. To remove the wipers, just cut them off with scissors or a knife. They can also be removed by pulling them off with pliers.
9. To assemble the unit, replace the carriage end caps and screws on either side. Replace the front cover, the tray, the rinse station and finally the Z-drive assembly.



**Figure 1-10.** View of carriage with end caps detached.