
**Firmware Change
Procedure for ASX-510**

FIRMWARE CHANGE PROCEDURE FOR ASX-510

NOTE:

MAKE SURE THE UNIT IS UNPLUGGED AND IN THE "OFF" POSITION BEFORE BEGINNING THIS PROCEDURE.

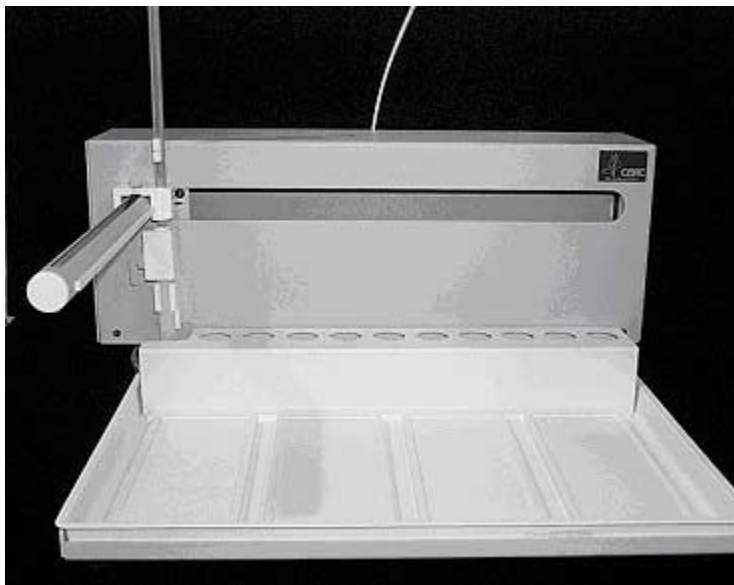


Figure 1-1. Front view of ASX-510.

1. First, remove the two Kynar thumbscrews from the Y-axis home block. See Figure 1-2.

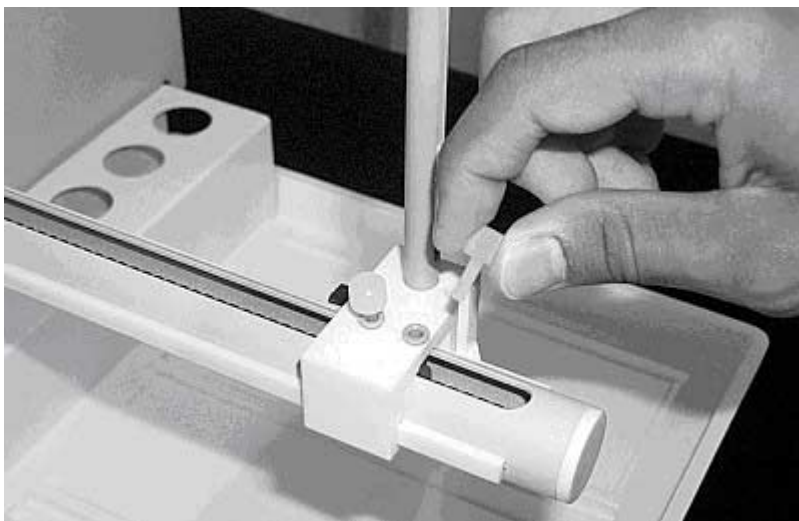


Figure 1-2. View of Y- axis home block with Kynar thumbscrews.

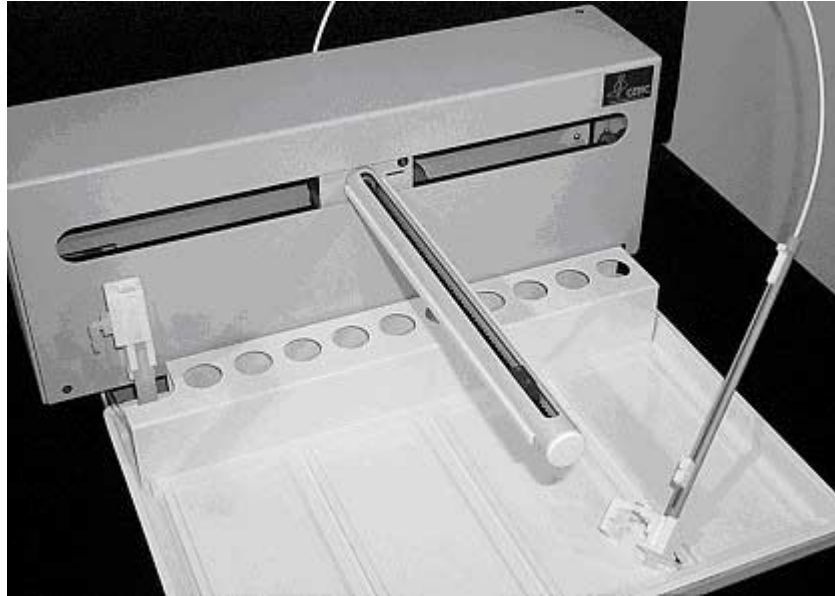


Figure 1-3. Z-drive removed from arm assembly.

2. Next, remove the whole Z-drive assembly from the arm by pulling the whole Z-drive assembly forward and off the Auto-Sampler arm. See Figure 1-3.
3. After the Z-drive assembly is removed, then remove the rinse station. See Figure 1-4. Turn the rinse station $\frac{1}{4}$ turn counter-clockwise while pulling up. Also, the tubing located at the bottom of rinse station will have to be removed or moved aside. See Figure 1-5.

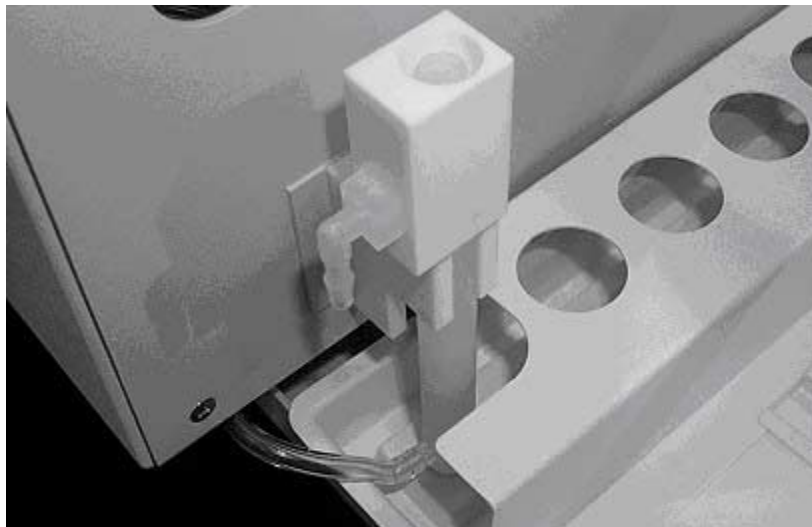


Figure 1-4. View of rinse station.

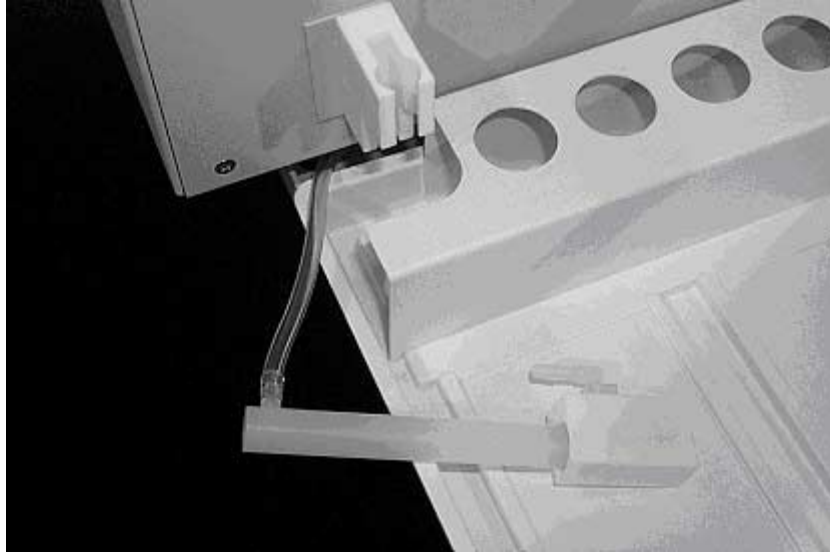


Figure 1-5. View of rinse station removed from the front cover.

4. The auto sampler tray is the next to be removed. Lift up the tray and pull out. See Figure 1-6.

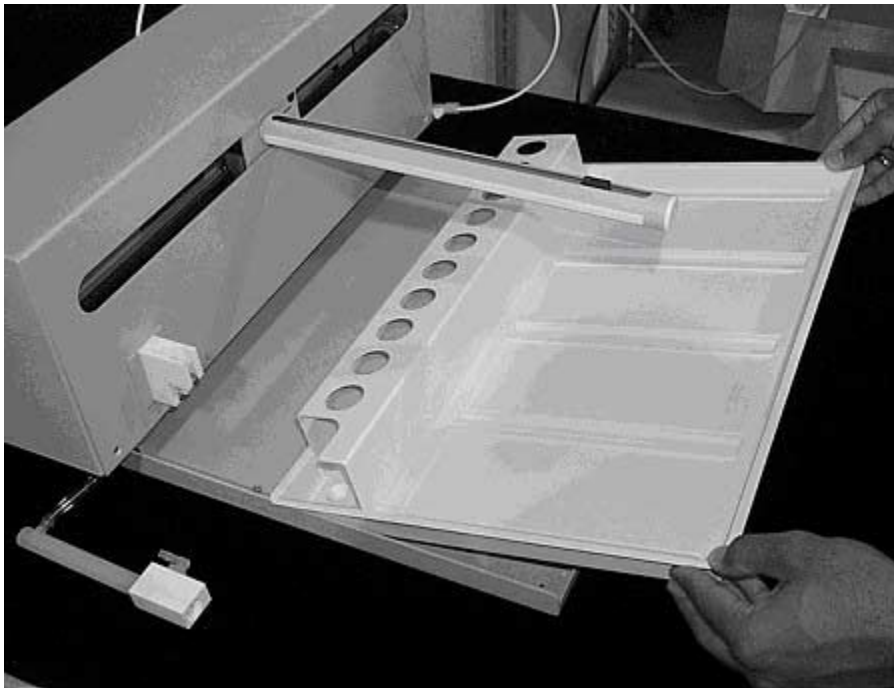


Figure 1-6. Removing the tray.

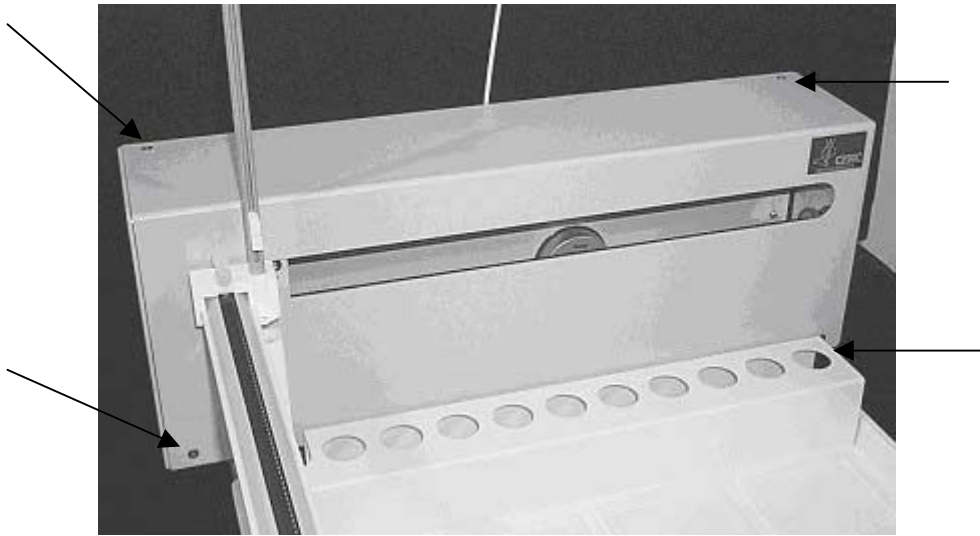


Figure 1-7. Front view of ASX-510 Auto-Sampler showing front cover screws.

5. Next, the front cover needs to be removed. Remove the four corner screws shown in Figure 1-7.
6. The front cover can be removed by lifting it slightly and pulling forward. See Figure 1-8.

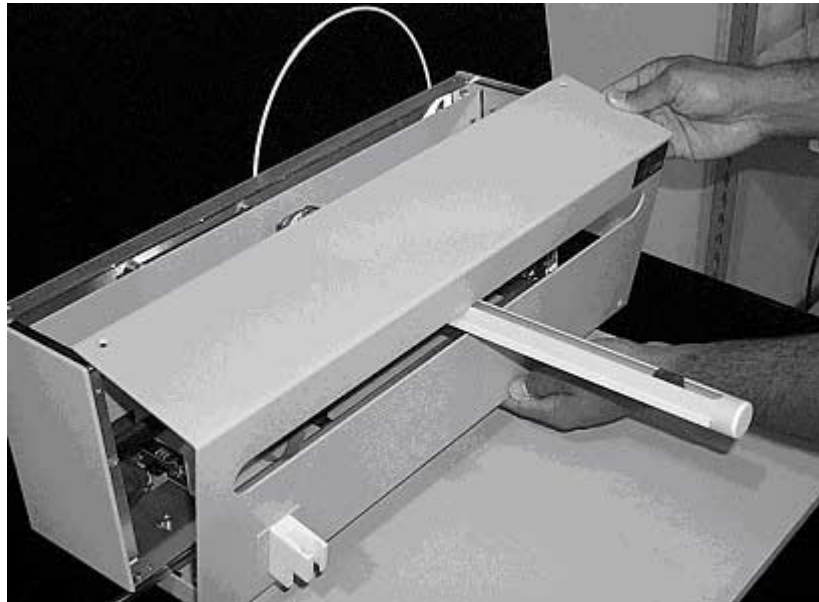


Figure 1-8. View of ASX-510 Auto-Sampler with the front cover being removed.

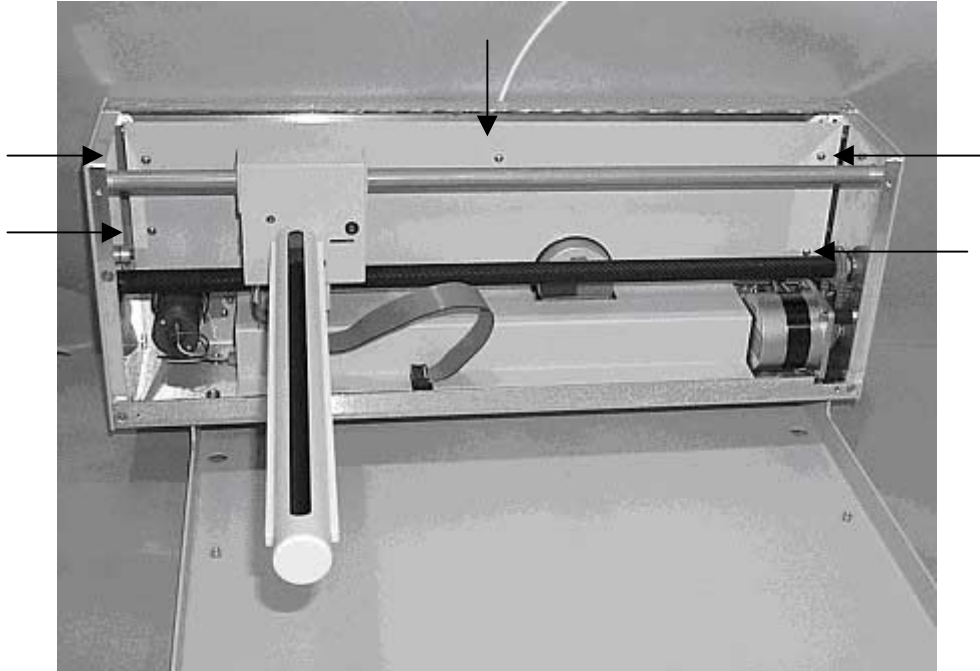


Figure 1-9. View of inner shield inside the ASX-510.

7. The five screws that hold the inner shield will have to be removed. Move the Y-axis assembly all the way to the left. See Figure 1-9.
8. The inner shield can be removed by lifting it up while pulling forward. See Figure 1-10.

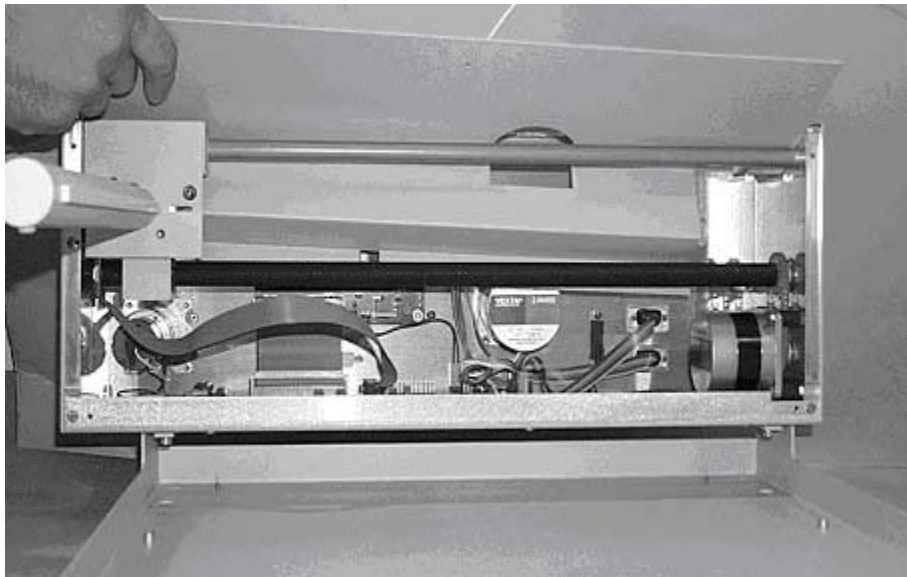


Figure 1-10. Removal of inner shield.

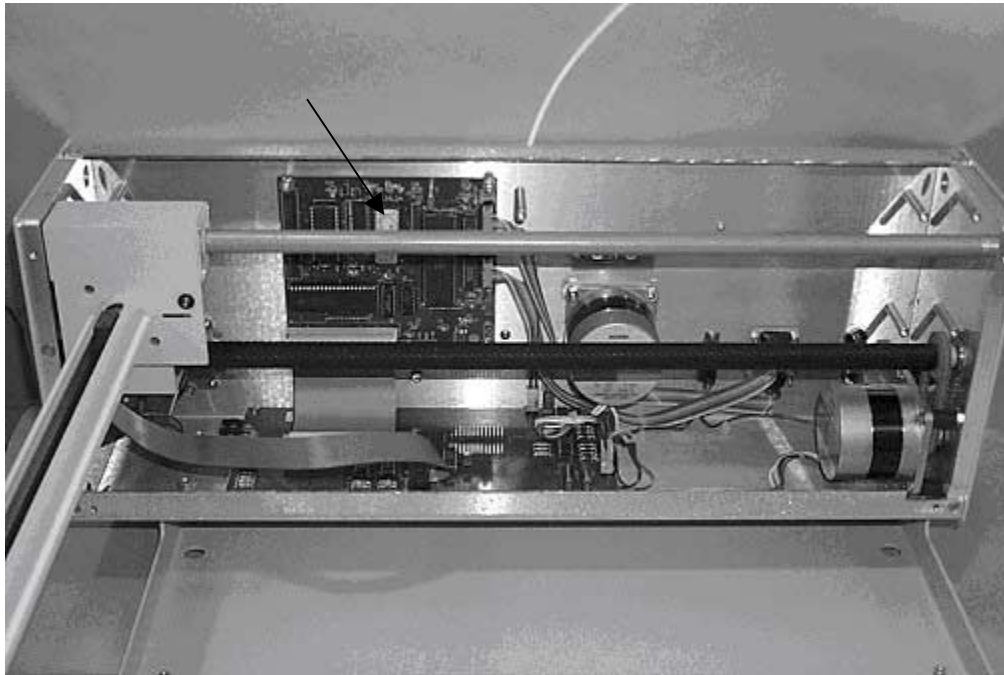


Figure 1-11. View of ASX-510 with inner shield removed.

9. The CPU board is now accessible to remove and or replace the firmware. See Figure 1-11. Ensure that the notch on the EPROM is facing down.
10. To assemble the unit, replace the inner shield, the front cover, the tray, the rinse station and finally the Z-drive assembly.