
**CPU Board Replacement
Procedure for ASX-510**

CPU BOARD REPLACEMENT PROCEDURE FOR ASX-510

NOTE:

MAKE SURE THE UNIT IS UNPLUGGED AND IN THE "OFF" POSITION BEFORE BEGINNING THIS PROCEDURE.

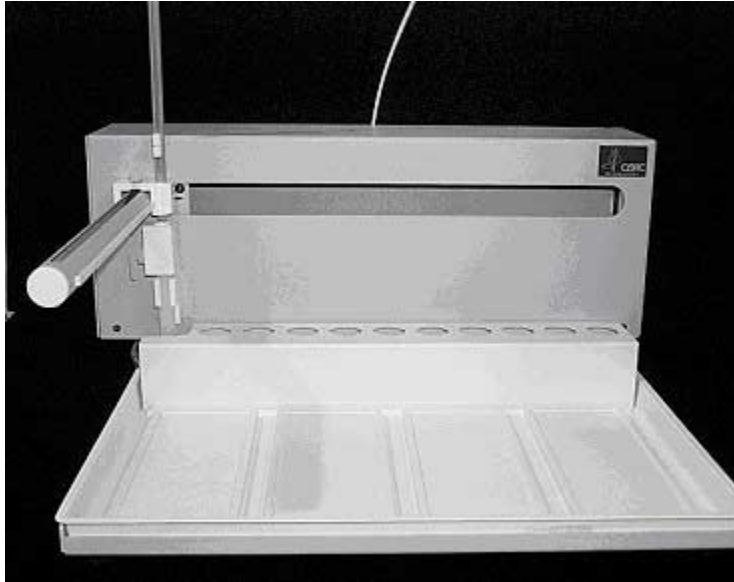


Figure 1-1. Front view of ASX-510.

1. First, remove the two Kynar thumbscrews from the Y-axis home block. See Figure 1-2.

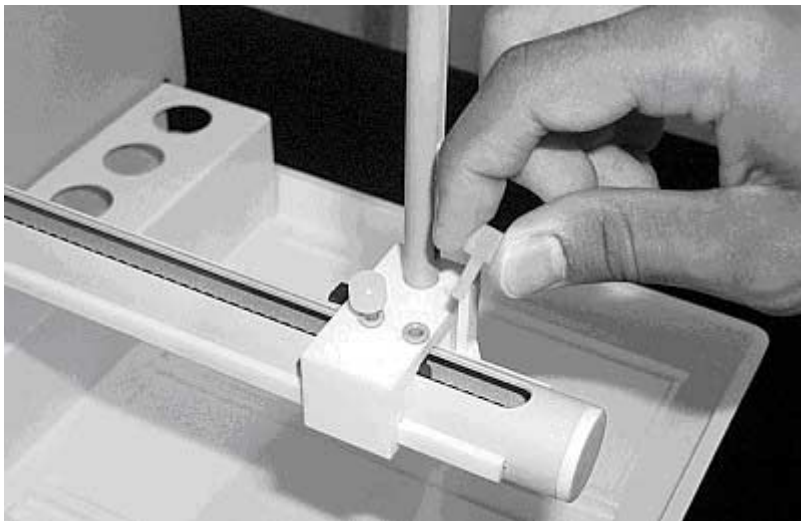


Figure 1-2. View of Y- axis home block with Kynar thumbscrews.

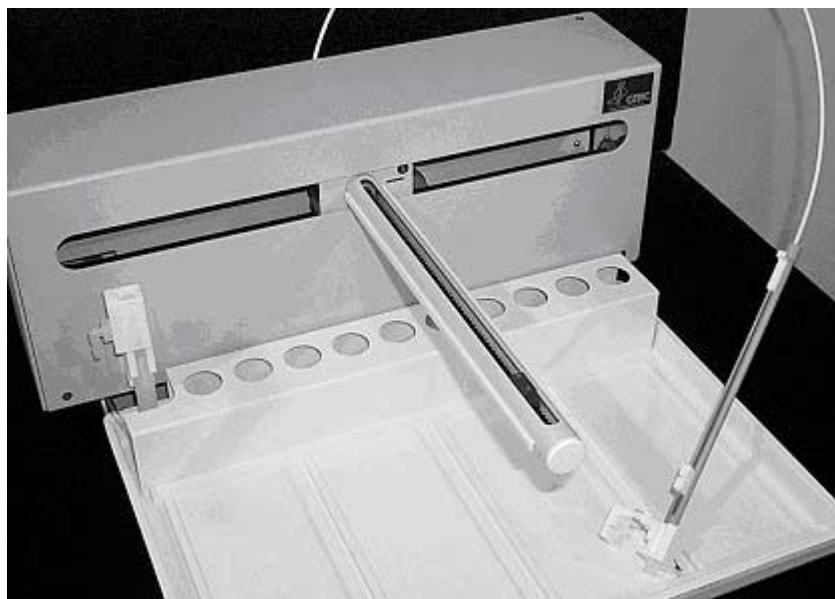


Figure 1-3. Z-drive removed from arm assembly.

2. Next, remove the whole Z-drive assembly from the arm by pulling the whole Z-drive assembly forward and off the Auto Sampler arm. See Figure 1-3.
3. After the Z-drive assembly is removed, then remove the rinse station. See Figure 1-4. Turn the rinse station $\frac{1}{4}$ turn counter-clockwise while pulling up. Also, the tubing located at the bottom of rinse station will have to be removed or moved aside. See Figure 1-5.

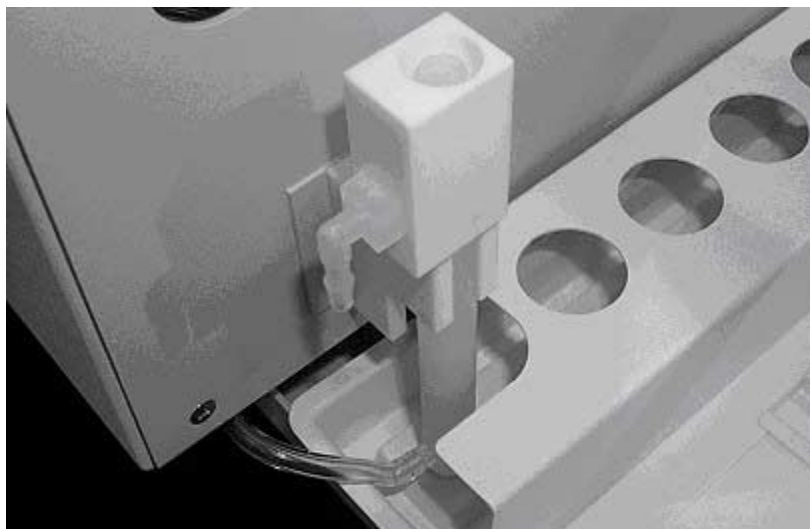


Figure 1-4. View of rinse station.

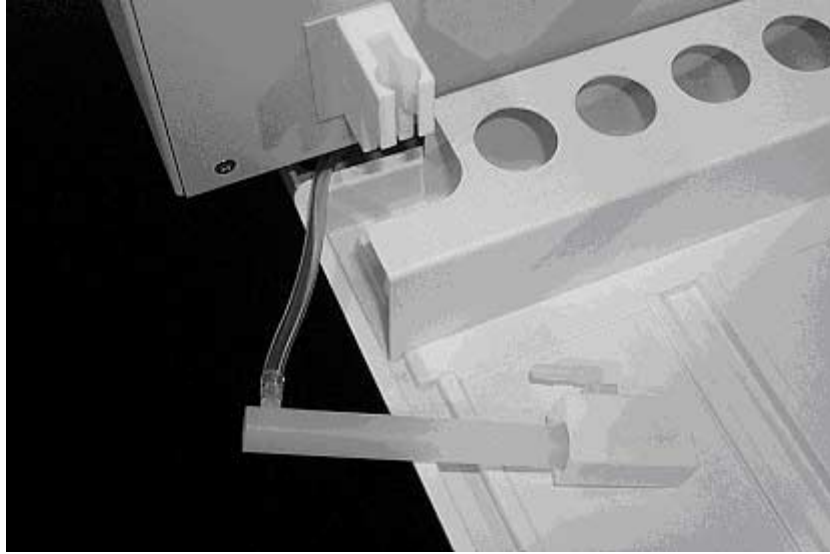


Figure 1-5. View of rinse station removed from the front cover.

4. The Auto Sampler tray is next to be removed. Lift up the tray and pull forward. See Figure 1-6

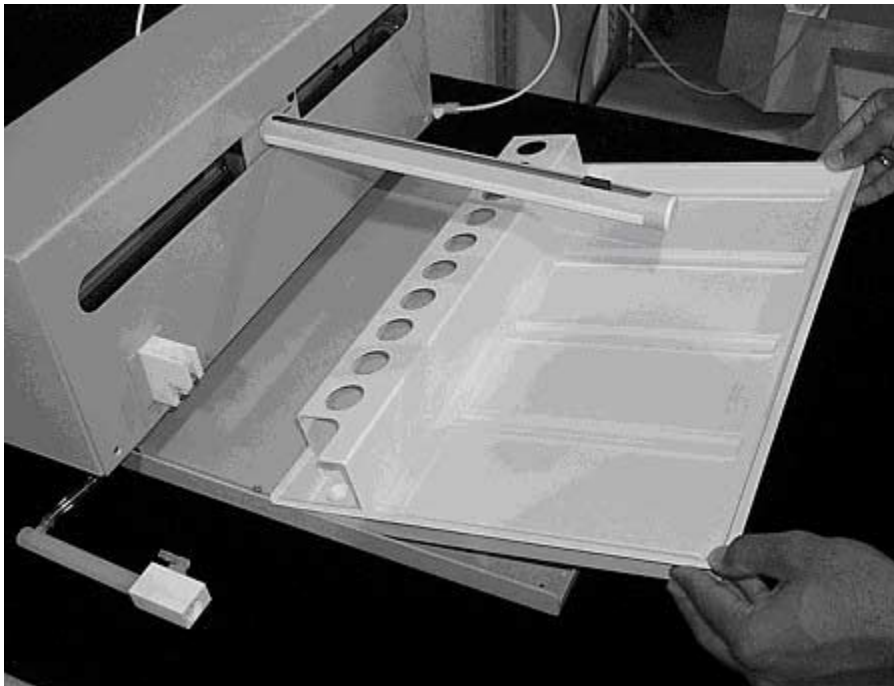


Figure 1-6. Removing the tray.

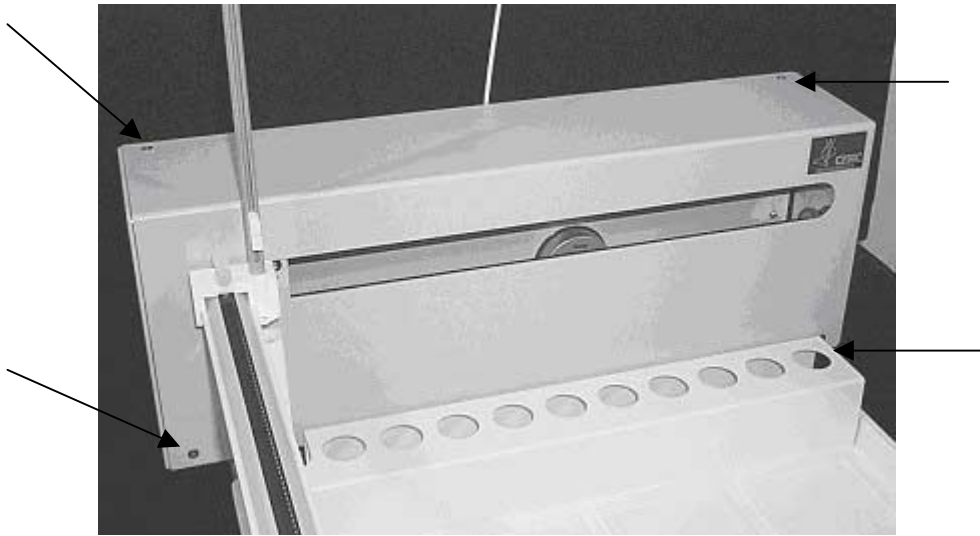


Figure 1-7. Front view of ASX-510 Auto Sampler showing front cover screws.

5. Next, the front cover needs to be removed. Remove the four corner screws shown in Figure 1-7.
6. The front cover can be removed by lifting it slightly and pulling forward. See Figure 1-8.

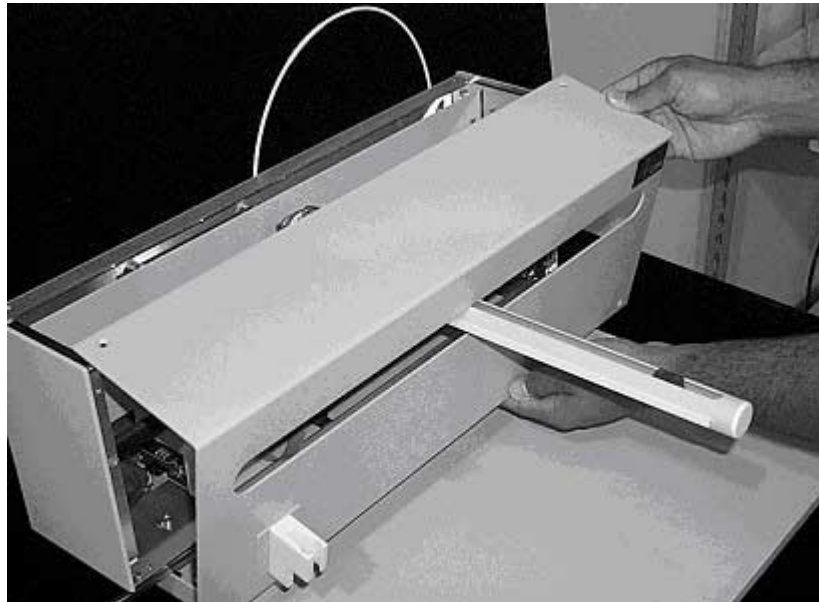


Figure 1-8. View of ASX-510 Auto Sampler with the front cover being removed.

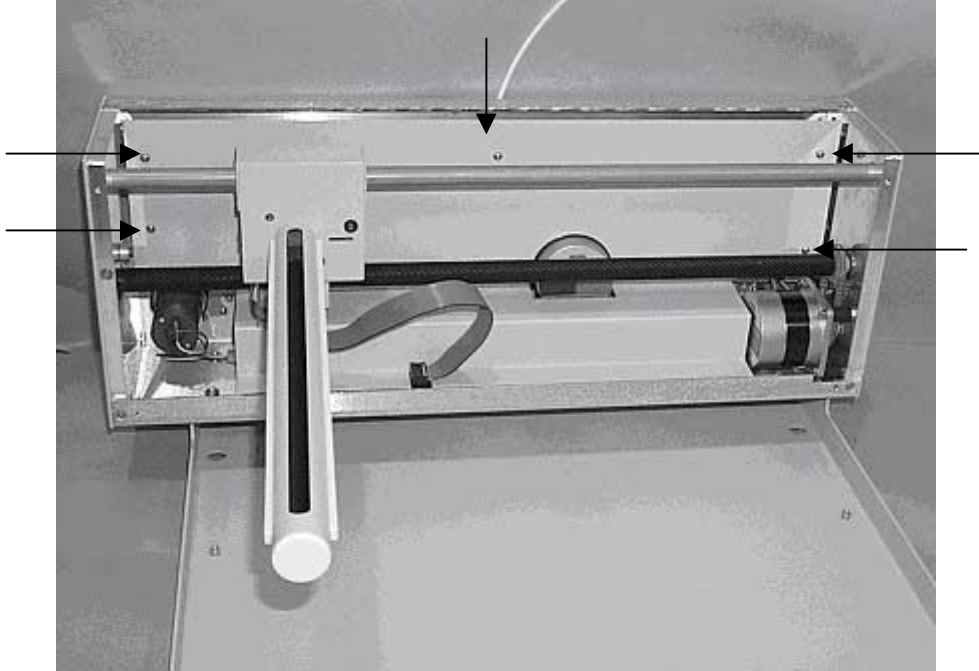


Figure 1-9. View of inner shield inside the ASX-510.

7. The five screws that hold the inner shield will have to be removed. Move the Y-axis assembly all the way to the left. See Figure 1-9.
8. The inner shield can be removed by lifting it up while pulling forward. See Figure 1-10.

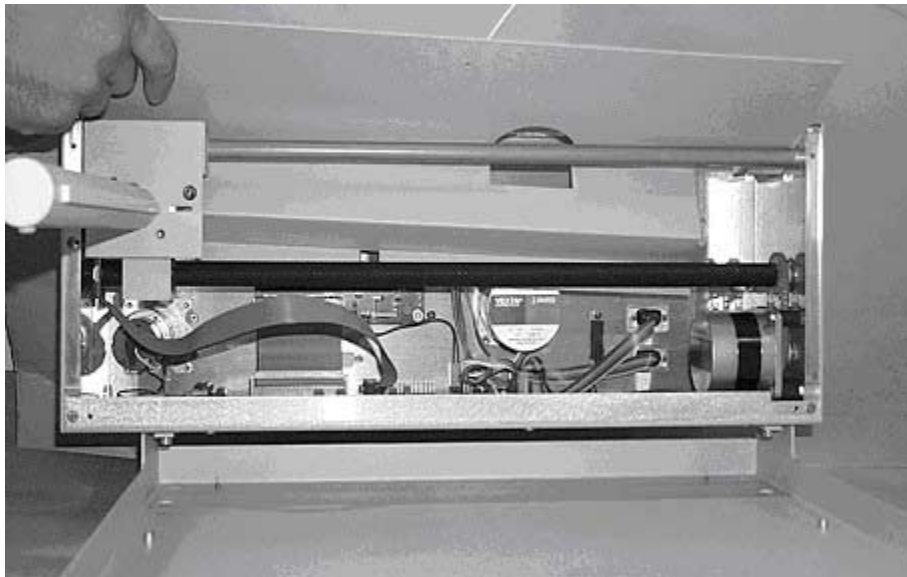


Figure 1-10. Removal of inner shield.

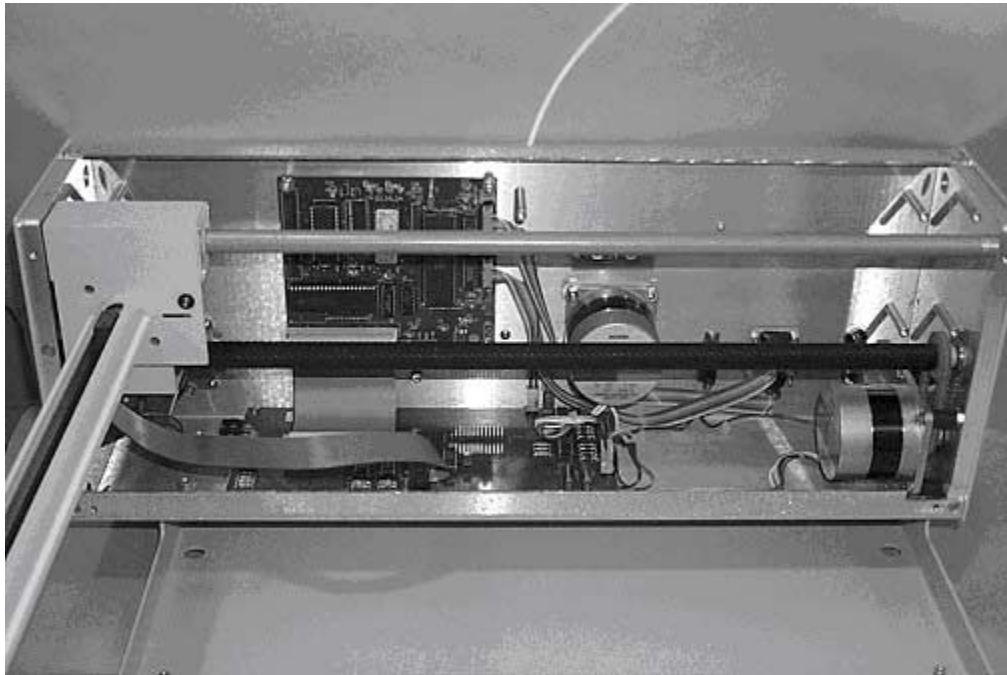


Figure 1-11. View of ASX-510 with inner shield removed.

9. The circuit boards are now accessible. Remove all three ribbon cables that attach to the CPU board and the two pin Power IN connector. The four corner screws will also need to be removed. See Figure 1-12.

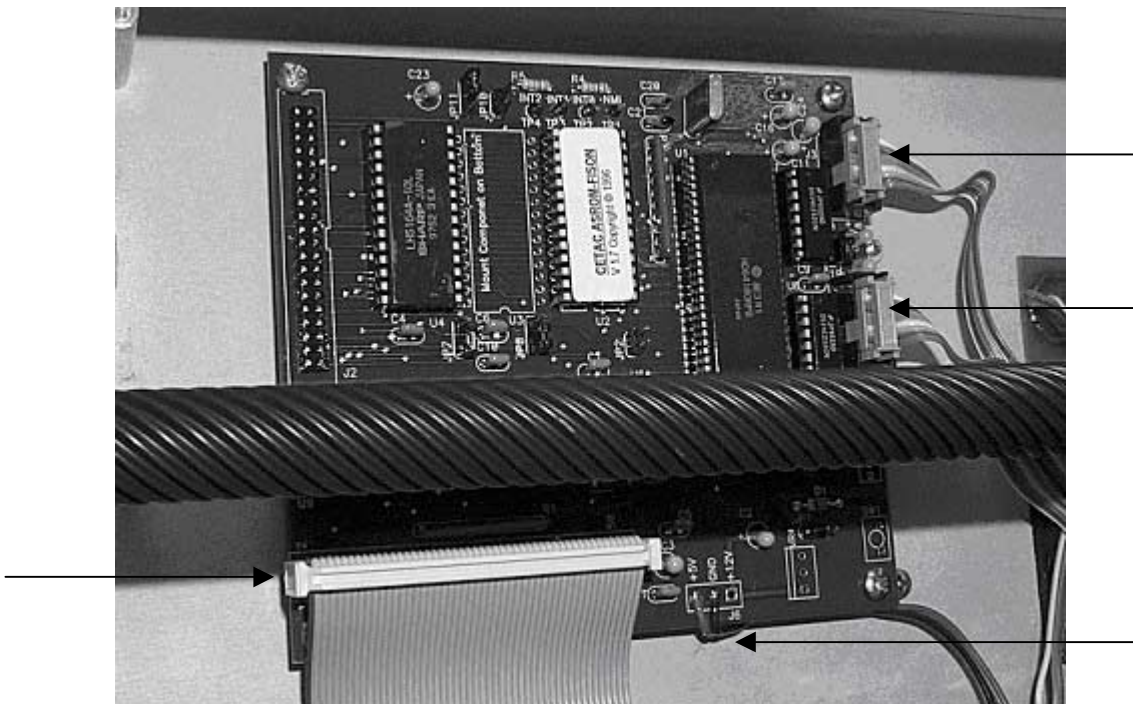


Figure 1-12. View of ASX-510 showing CPU board.

10. Replace with a new CPU board.
11. To reassemble, attach the four corner screws that hold the CPU board to the back panel all three ribbon cables and the Power In connector.
12. To assemble the rest of the unit, replace the inner shield, the front cover, the tray, the rinse station and finally the Z-drive assembly.