

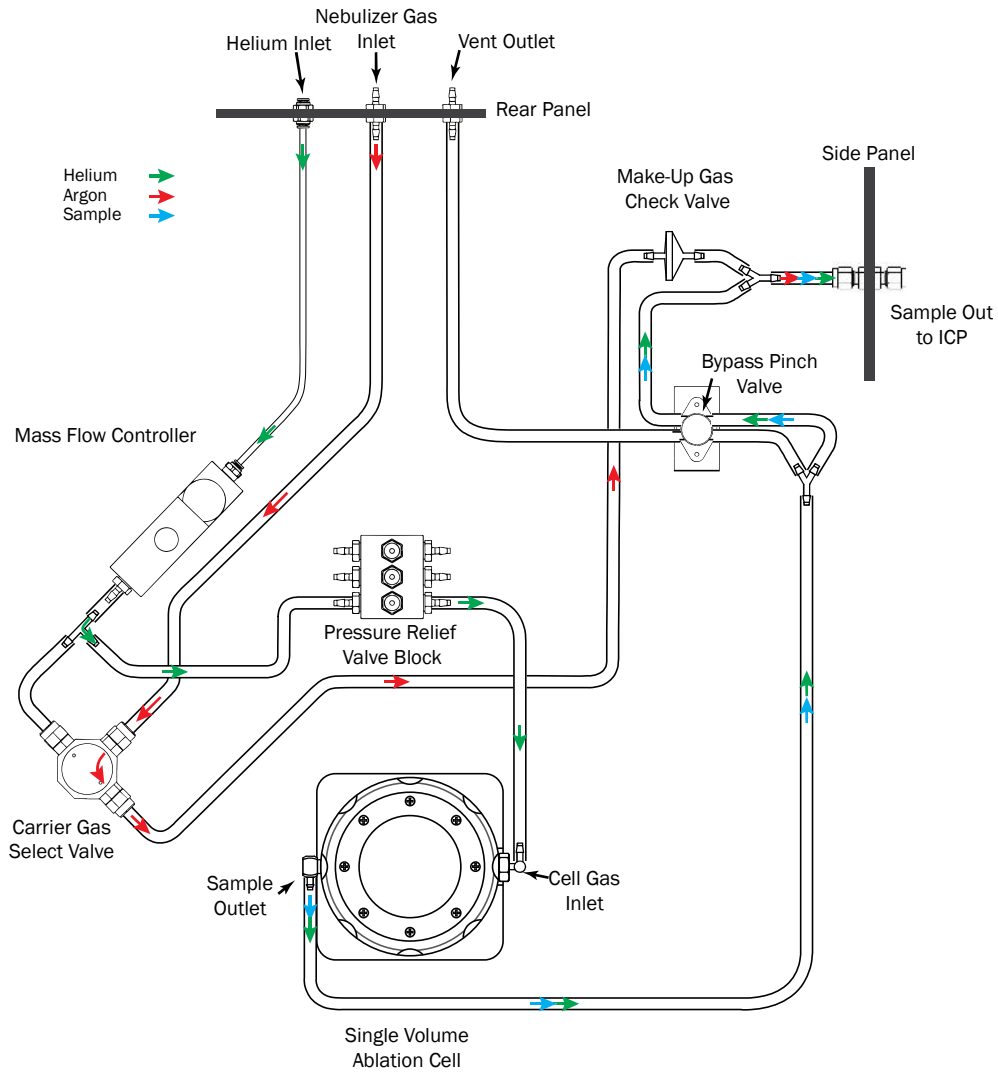
LSX-213 G2+ Gas Flow

Tubing Diagram - Standard (Single Volume) Sample Cell

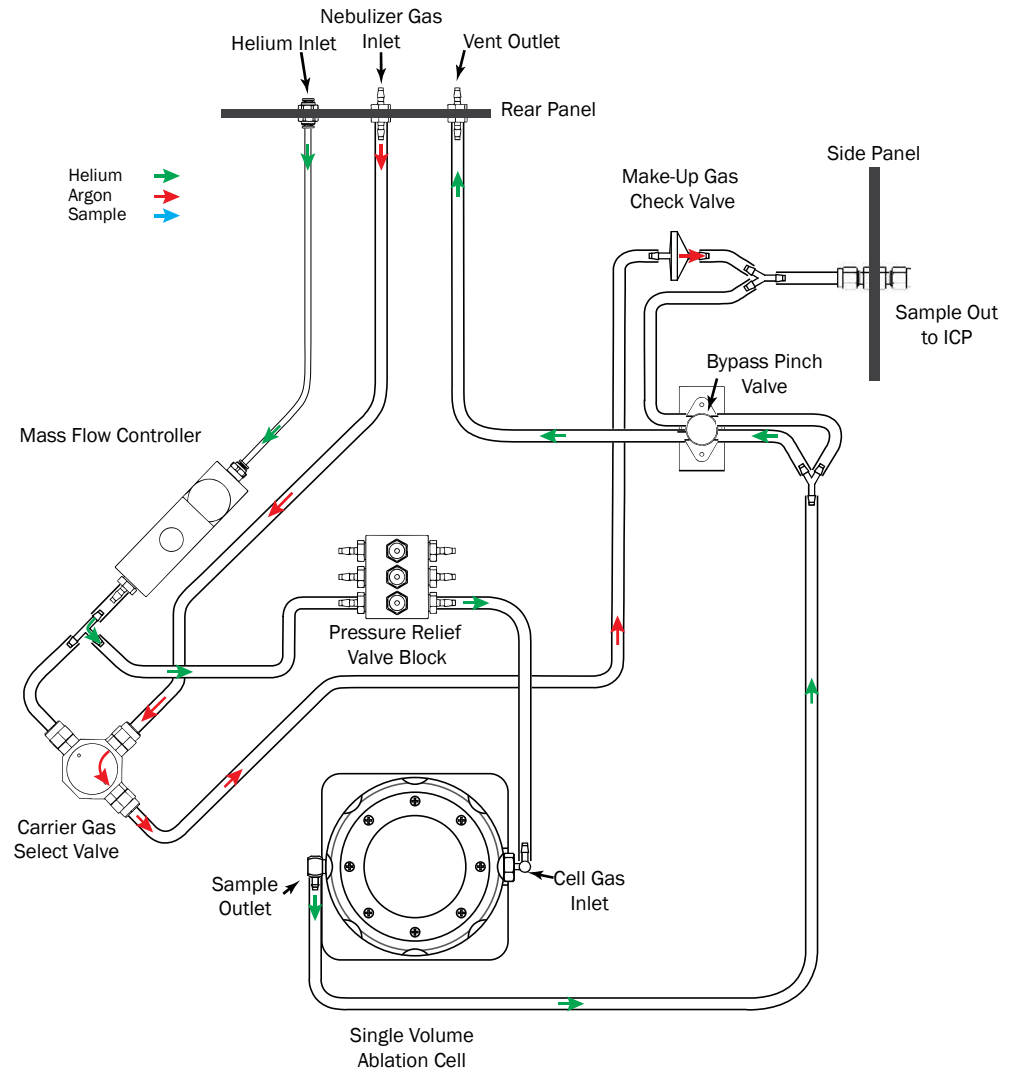
© 2014 Teledyne CETAC Technologies

Part number 480205 rev2

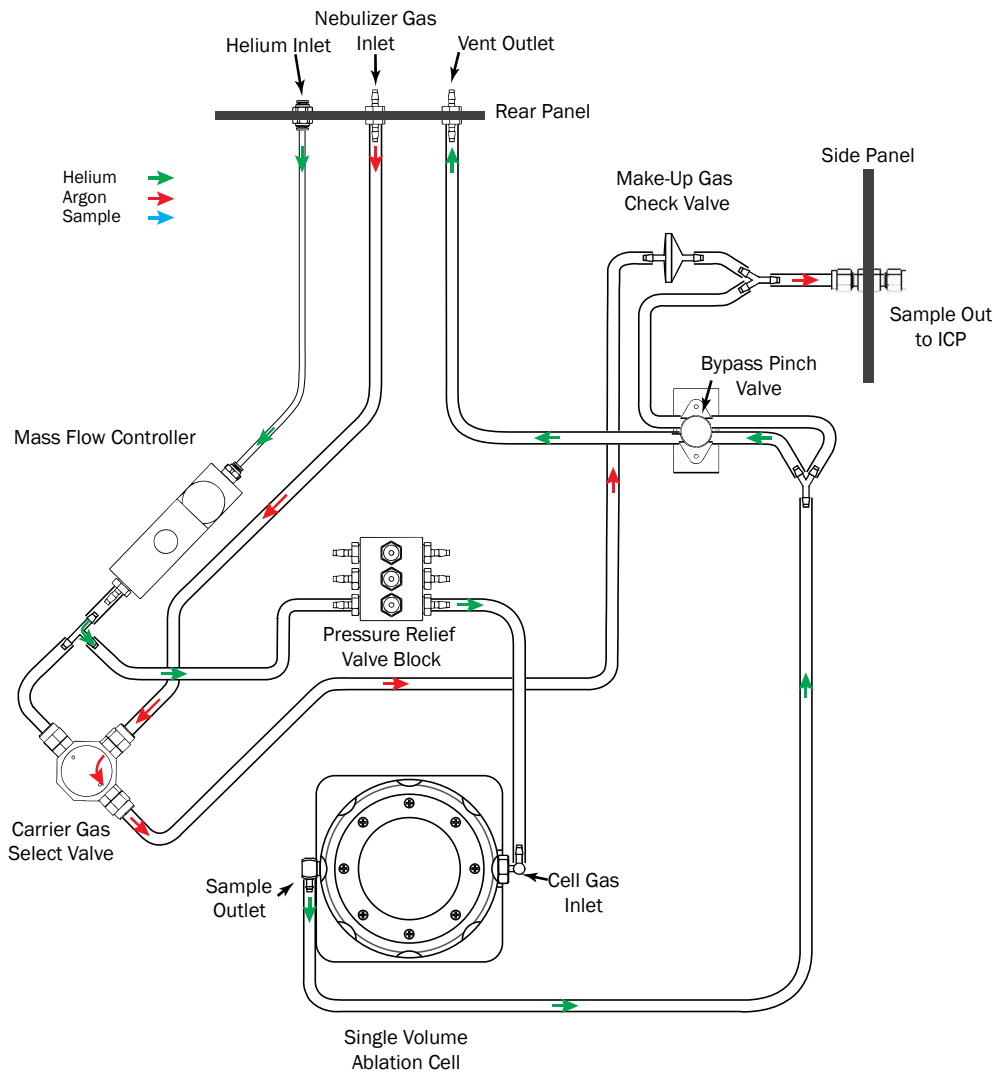
Printed in USA



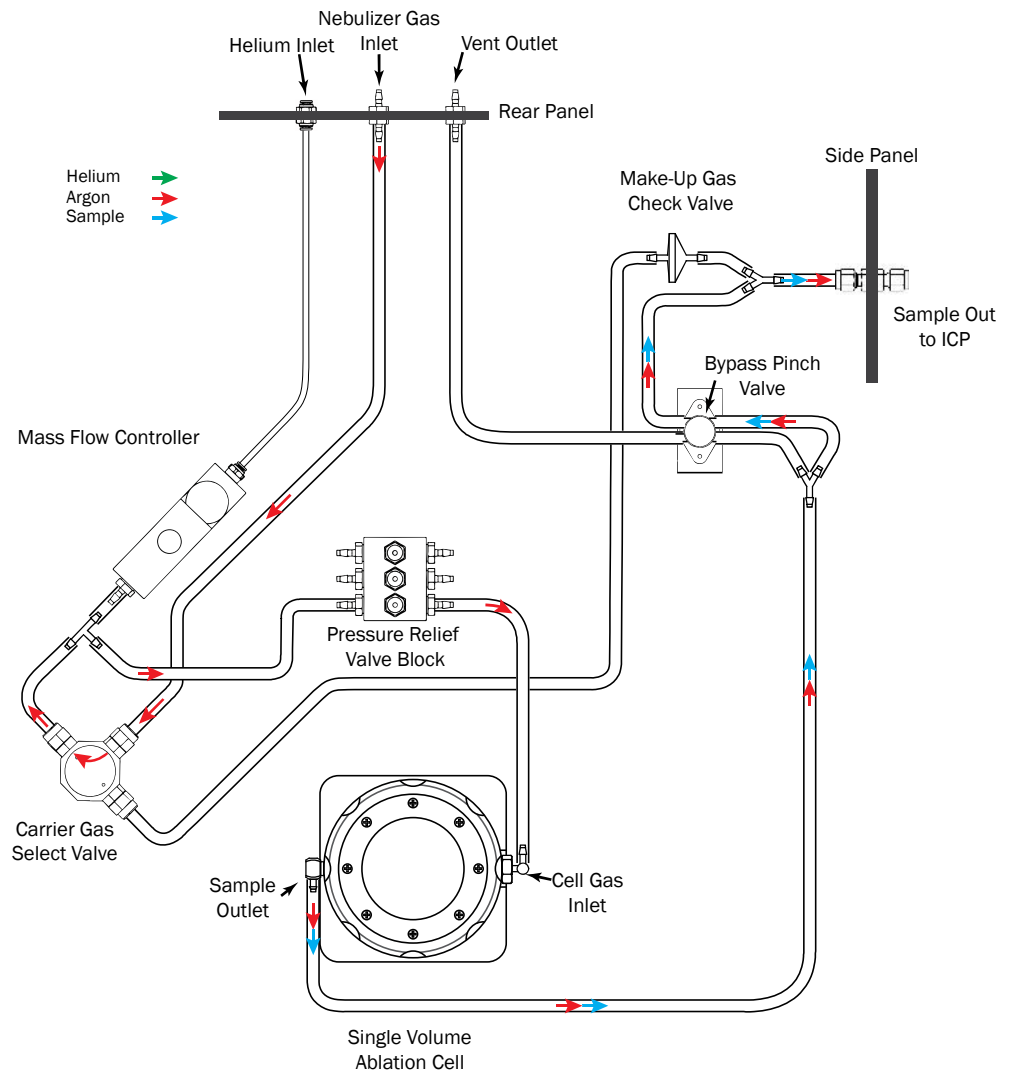
ONLINE MODE



PURGE MODE



BYPASS MODE



ARGON ONLY MODE